

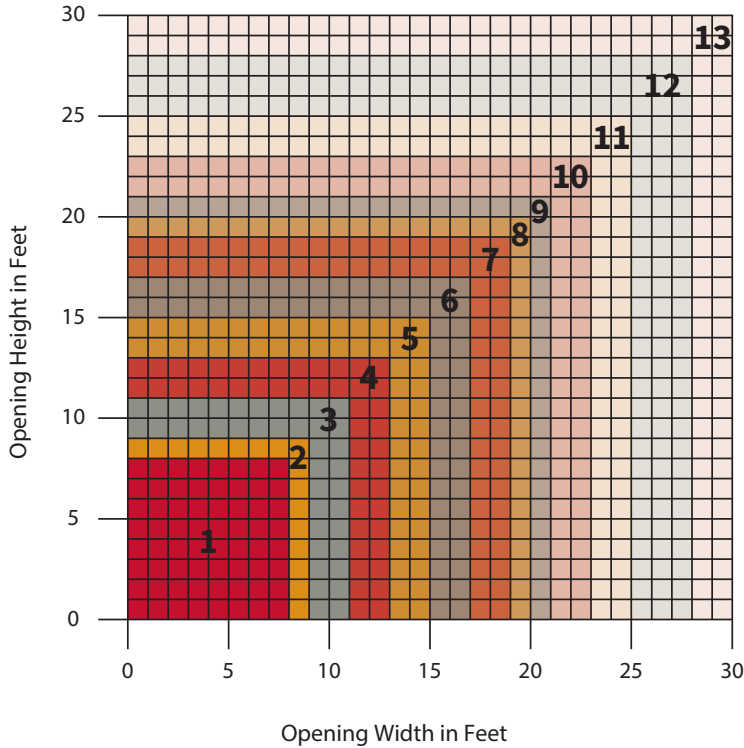
INSULATED ROLLING DOORS

# THERMISER MAX

Model ESD30

## MEASURE THE WIDTH AND HEIGHT OF THE OPENING

### DOOR SIZE AND AREA



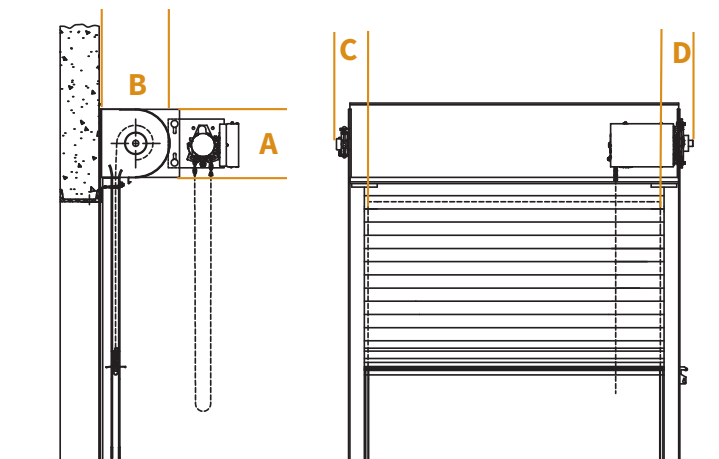
### COMPONENT DIMENSIONS

Reference the zone number to view component dimensions for motorized doors.

Zone	A	B	C	D
1	17	19	5	9
2	18	20	5	9
3	19	21	5	9
4	20	22	7	9
5	21	23	7	11
6	22	24	7	11
7	23	25	7	11
8	24	26	7	11
9	25	27	7	11
10	26	28	7	11
11	27	29	7	11
12	29	31	7	11
13	31	33	7	11

Dimensions in Inches

Zone A B C D



The dimensions featured on this sheet are provided as a guide. Please visit our website at [www.cornelliron.com/drawings](http://www.cornelliron.com/drawings) to generate drawings on demand with exact dimensions.

The Sound Transmission Class (STC) rating is up to 22 for the entire assembly. \*If an STC of 32 is desired, additional options are required. Please contact the factory for details. All configurations are evaluated per ASTM E90, based on testing a complete, operable assembly.

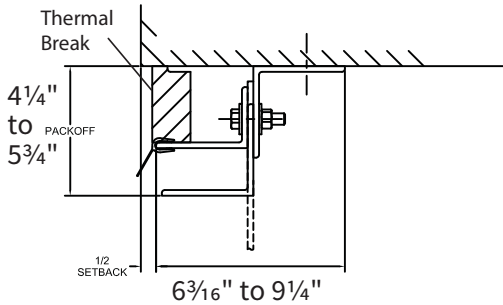
Gauge	STC Rating
18/24	21
24/24	22
18/20	32*

# INSULATED ROLLING DOOR **THERMISER MAX®** Model ESD30

## GUIDE CONSTRUCTION OPTIONS

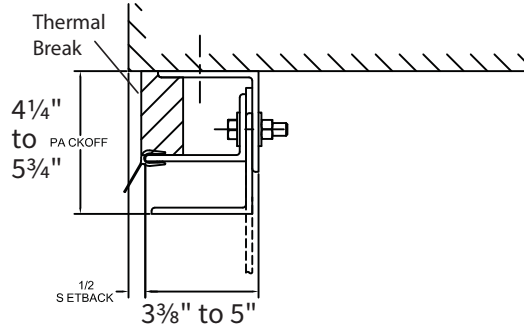
### FACE OF WALL Z

Typically used with masonry wall construction, guides are mounted to the interior side of the wall.



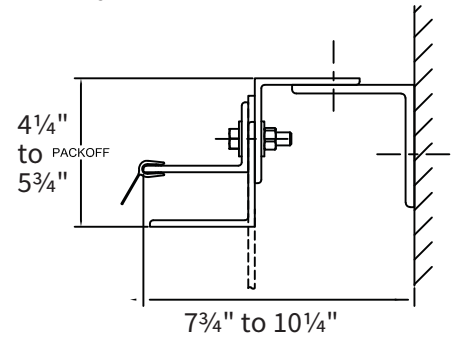
### FACE OF WALL E

Typically used with steel jambs, guides are mounted to the interior side of the wall.



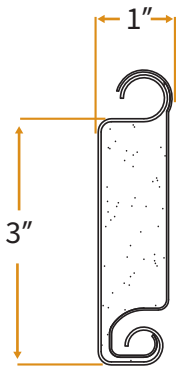
### BETWEEN JAMBS

Used when side clearance is minimal, guides are mounted to the inside of the jamb.

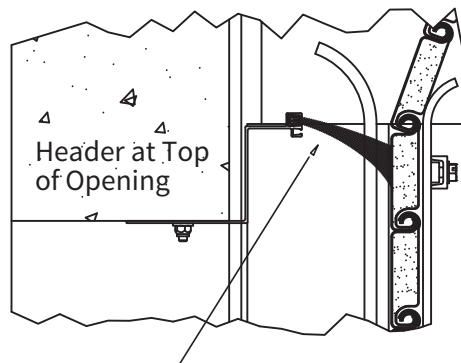


## CURTAIN DESIGN

Insulated Slat



## LINTEL SEAL BRUSH



Rubber Seal Sandwiched by a Double Lintel Seal Brush Contacting the Door Curtain

Air Infiltration value of less than .3 CFM/FT<sup>2</sup>.

R Value of 8.0

U Value of .125

Calculated using the ASHRAE Handbook of Fundamentals

The dimensions featured on this sheet are provided as a guide. Please visit our website at [www.cornelliron.com/drawings](http://www.cornelliron.com/drawings) to generate drawings on demand with exact dimensions.

## CUSTOM-DESIGNED SOLUTIONS

Our experienced Architectural Design Support Team can customize our products to fit your specific application.

Call 800.233.8366 ext. 4551 • [ads@cornelliron.com](mailto:ads@cornelliron.com)