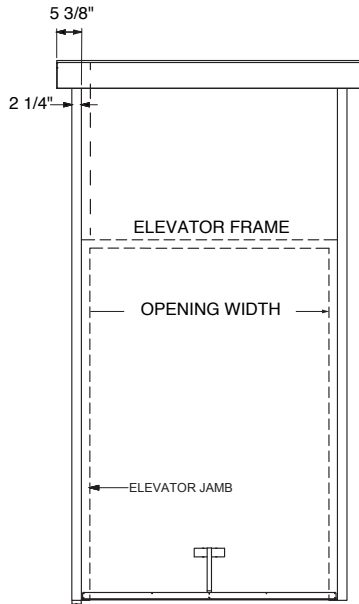
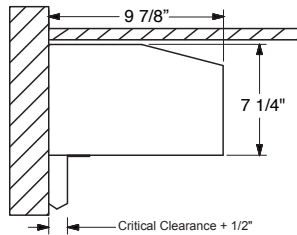


SMOKESHIELD™ ELEVATOR

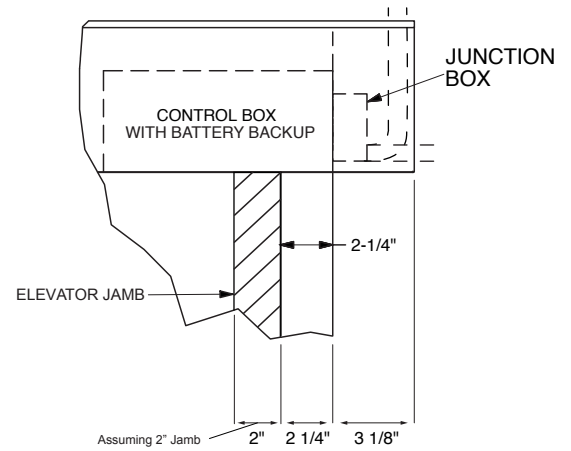
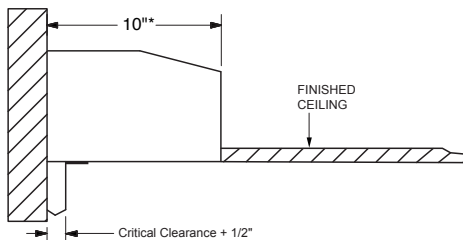
Model ERF10



BELOW CEILING



FLUSH WITH CEILING



* Size is approximate and will vary based on guide selection or site conditions.

MAX SIZES

WIDTH - 12 FT
HEIGHT - 12 FT

Assumes average
Elevator jamb width of 2"

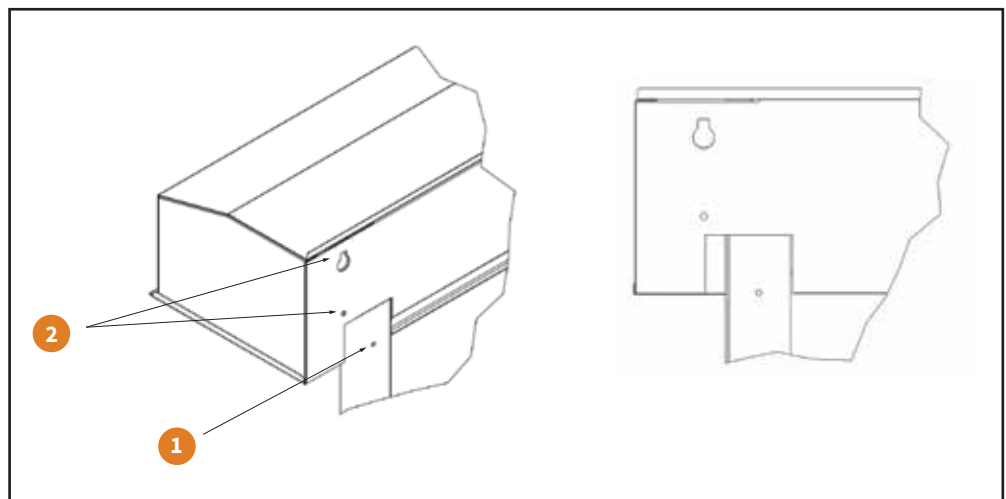
Complies with:
IBC 2003, 2006, 2009, 2012,
2015, 2018

Complies with:
► ICC-ES Report AC - 77

Listed:
► UL 1784
► UL 325
► ASTM E864

STRUCTURAL INFO

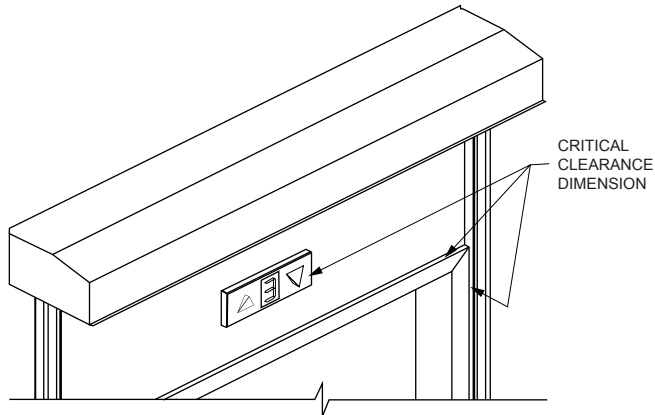
1. Vertical jambs support the weight of the headbox assembly containing the barrel, curtain, motor and controller.
2. Headbox attached to wall at these 2 points.



NOTE: This design requires back to back studs adjacent to vertical elevator jambs

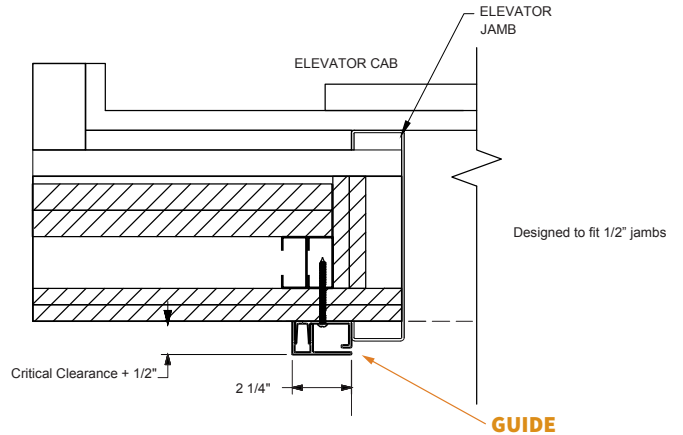
LEFT-HAND ELEVATOR JAMBS

CRITICAL DIMENSIONS(ALL ELEVATORS)



The header protrusion from the jamb may be more than the vertical jamb protrusion. This dimension is critical.

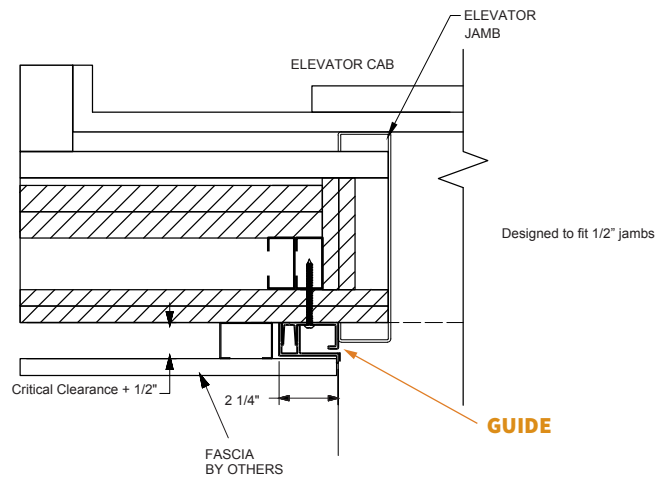
OFFSET GUIDE (FACE OF WALL)



ELEVATOR JAMB WIDTH AND PROJECTION FROM THE WALL

These dimensions are to ensure that the guide profiles will fit properly. The above profiles are designed to fit elevator frames that extend either 1/2" or 3/4" from the wall.

OFFSET GUIDE (SUB-FASCIA)



CUSTOM-DESIGNED SOLUTIONS

Our experienced Architectural Design Support Team can customize our products to fit your specific application. Call 800.233.8366 ext. 4551 • architecturaldesignsupport@cornellcookson.com