

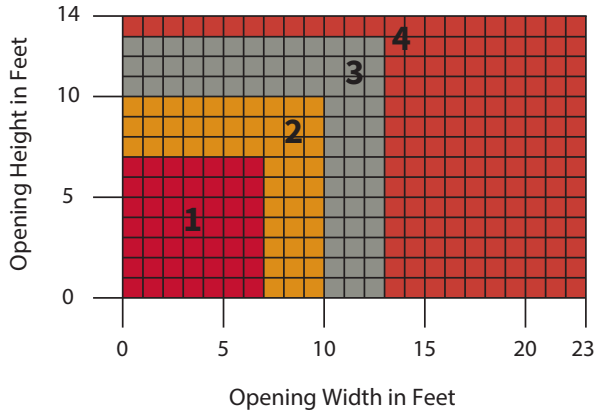
ROLLING GRILLES

SENTRYGATE®

Model ESG21

MEASURE THE WIDTH AND HEIGHT OF THE OPENING

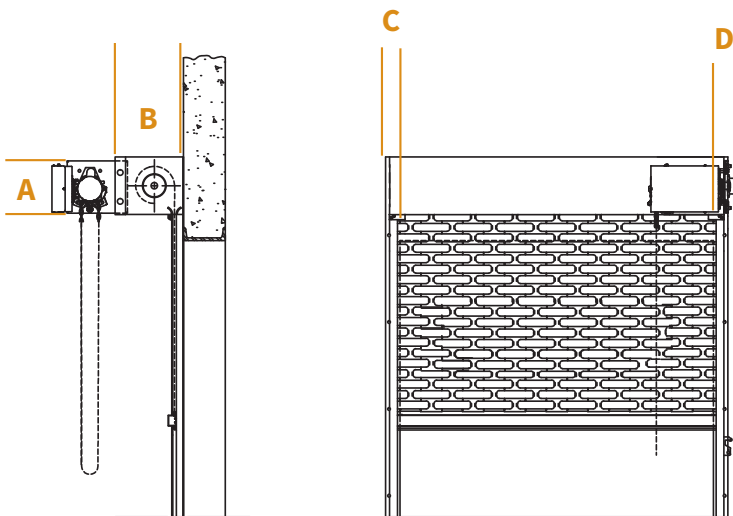
GRILLE SIZE AND AREA



COMPONENT DIMENSIONS

Reference the zone number to view component dimensions for motorized doors.

Dimensions in Inches	1	13	13	5	7
	2	14	14	5	7
	3	15	15	5	7
	4	17	17	5	7
Zone	A	B	C	D	

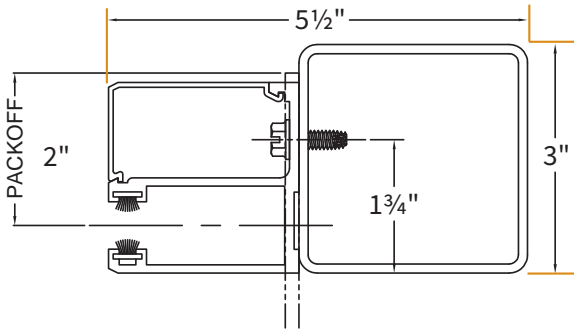


The dimensions featured on this sheet are provided as a guide. Please visit our website at www.cornelliron.com/drawings to generate drawings on demand with exact dimensions.

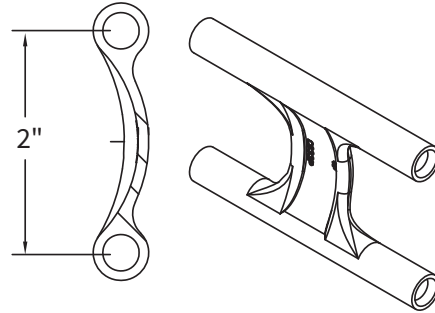
GUIDE CONSTRUCTION OPTIONS

BETWEEN JAMBS WITH TUBES

Typically used if there's no wall support, and tubes and guides need to be recessed within the wall construction

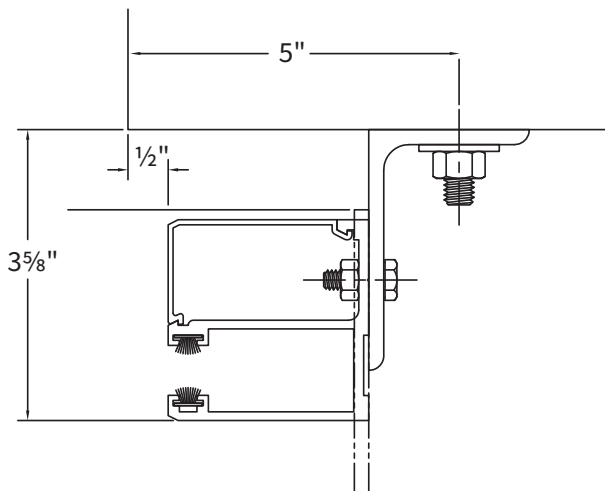


CURTAIN LINK



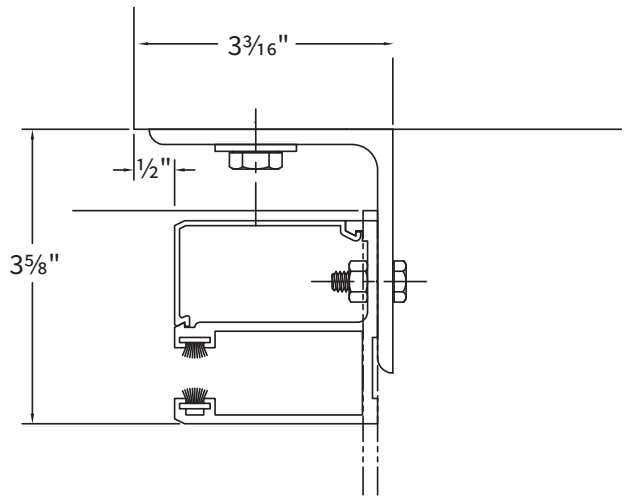
FACE OF WALL E

Typically used with steel jambs, guides are mounted to the interior or exterior side of the wall.



FACE OF WALL Z

Typically used with masonry wall construction, guides are mounted to the interior or exterior side of the wall.



The dimensions featured on this sheet are provided as a guide. Please visit our website at www.cornelliron.com/drawings to generate drawings on demand with exact dimensions.

CUSTOM-DESIGNED SOLUTIONS

Our experienced Architectural Design Support Team can customize our products to fit your specific application. Call 800.233.8366 ext. 4551 • ads@cornelliron.com