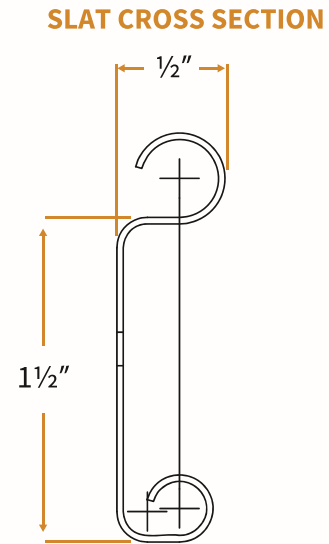
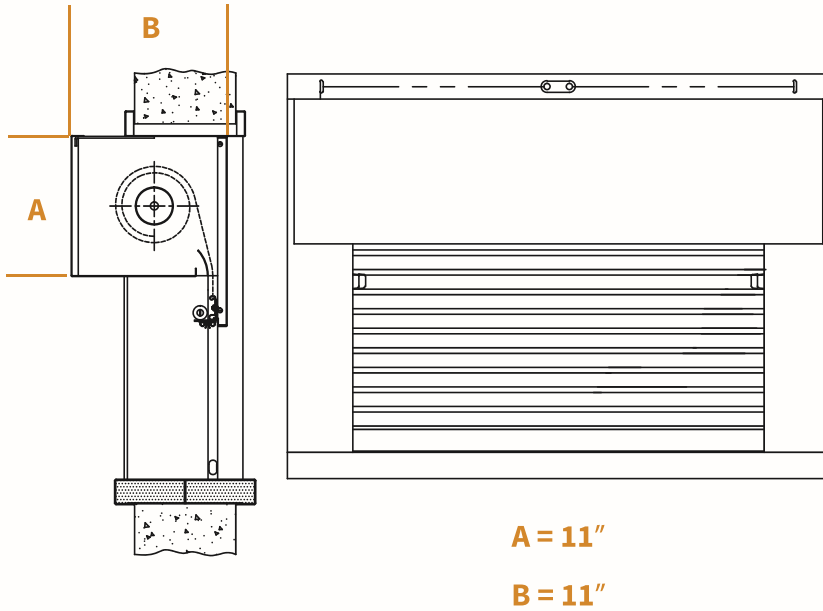


FIRE PROTECTIVE CLOSURES

# FIRE RATED COUNTER SHUTTERS

Model ERC20 (Integral Frame and Sill)

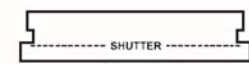


## CUSTOM UL LABELED COUNTERTOPS MAY BE SUPPLIED IN PLACE OF THE STANDARD INTEGRAL STAINLESS STEEL SILL

**Laminate Countertops** are 1 5/8" thick and have a fire retardant core. UL 1 1/2 hour label. **Standard** plastic laminates may be selected from Formica®, Wilsonart®, Pionite® or Nevamar®. Custom designed in all shapes at right with a maximum counter depth of 48".

**Stainless steel countertops** are 2" thick and formed of 14 gauge stainless steel in #4 finish, with a refractory fiber core. UL 1 1/2 hour label. Custom designed to a maximum wall opening width of 10'-10" for between jambs (rectangular shape). Maximum wall thickness is 12".

Standard stainless steel counter depth is wall thickness + 3 1/8"  
 Custom stainless steel countertop depth is available up to 25 1/2"



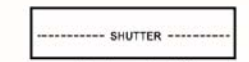
Offset H Sill

UL Classified Plastic Laminate Only

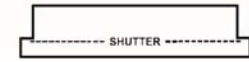


Standard H Sill

UL Classified Plastic Laminate Only



Rectangular Sill



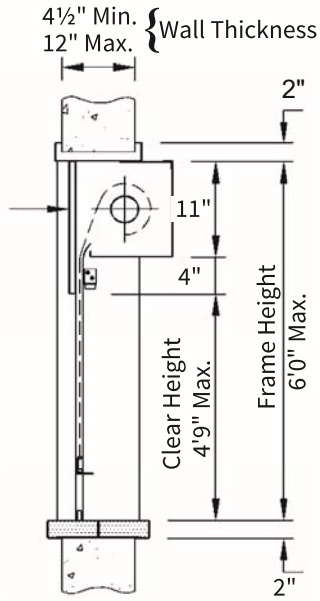
T Sill

The dimensions featured on this sheet are provided as a guide. Please visit our website at [www.cornelliron.com/drawings](http://www.cornelliron.com/drawings) to generate drawings on demand with exact dimensions.

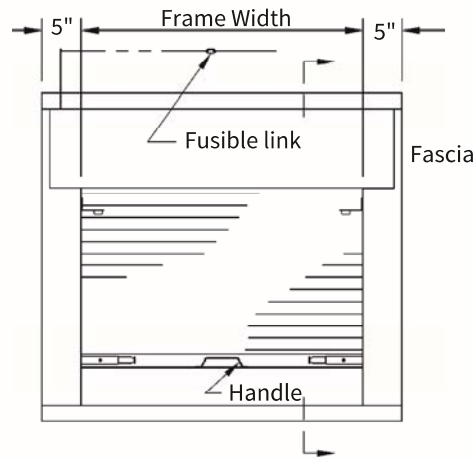
**FIRE PROTECTIVE CLOSURES FIRE RATED COUNTER SHUTTERS**  
**Model ERC20 (Integral Frame and Sill)**

**ROLLING COUNTER FIRE DOORS WITH INTEGRAL FRAMES**

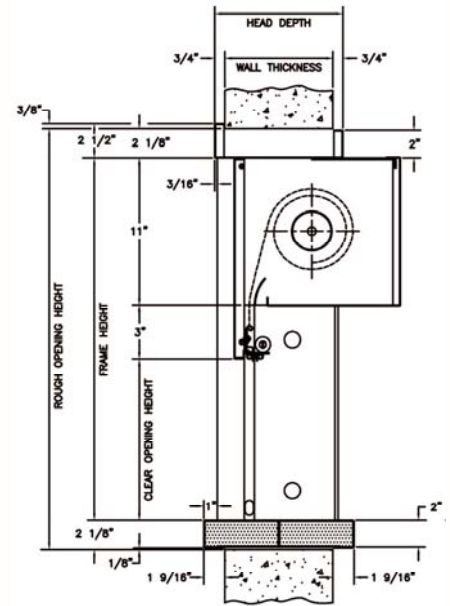
**BUILT IN JAMB DETAILS**



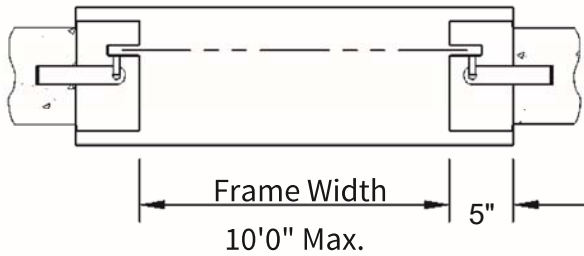
**ELEVATION**



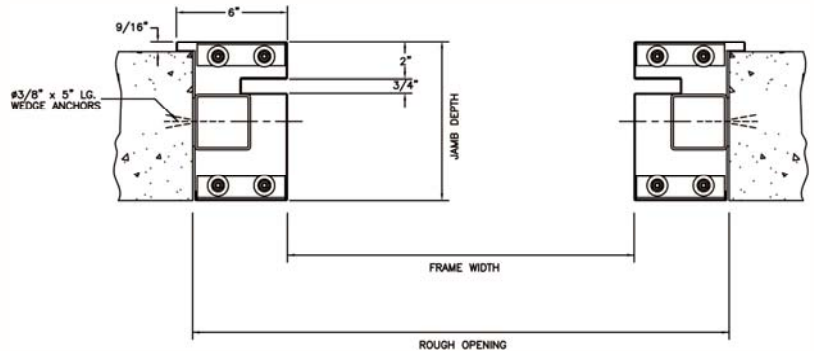
**SLIP IN JAMB DETAILS**



**BUILT IN JAMB DETAILS**



**SLIP IN JAMB DETAILS**



The dimensions featured on this sheet are provided as a guide. Please visit our website at [www.cornelliron.com/drawings](http://www.cornelliron.com/drawings) to generate drawings on demand with exact dimensions.

**CUSTOM-DESIGNED SOLUTIONS**

Our experienced Architectural Design Support Team can customize our products to fit your specific application. Call 800.233.8366 ext. 4551 • [ads@cornelliron.com](mailto:ads@cornelliron.com)