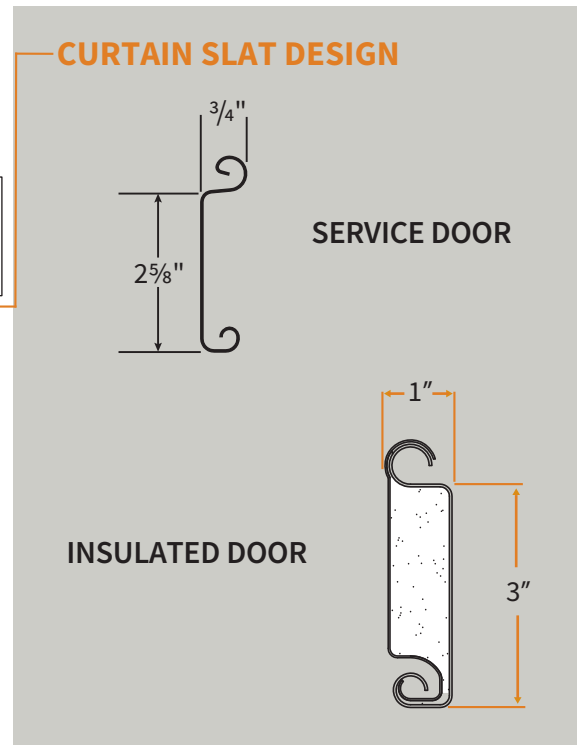
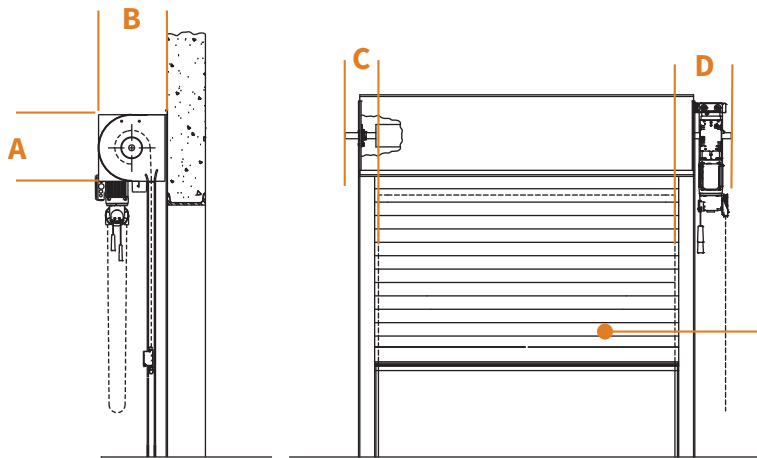


EXTREME[®] 300 SERIES PERFORMANCE DOOR

Models EPD 300 (service door curtain) and EPI 300 (insulated curtain)

MEASURE THE WIDTH AND HEIGHT OF THE DOOR OPENING

SERVICE DOOR					INSULATED DOOR				
HEIGHT	A	B	C	D	HEIGHT	A	B	C	D
6'	15"	16"	6 1/4" - 7 1/4"	13 1/4" - 14 3/4"	6'	16"	17"	6 1/4" - 7 1/4"	13 1/4" - 14 3/4"
7'	15"	16"			7'	17"	18"		
8'	15"	16"			8'	18"	19"		
9'	15"	16"			9'	18"	19"		
10'	15"	16"			10'	19"	20"		
11'	16"	17"			11'	20"	21"		
12'	16"	17"			12'	20"	21"		
13'	16"	17"			13'	21"	22"		
14'	17"	18"			14'	21"	22"		
15'	17"	18"			15'	22"	23"		
16'	17"	18"			16'	23"	24"		
17'	18"	19"			17'	24"	25"		
18'	18"	19"			18'	24"	25"		
19'	18"	19"			19'	25"	26"		
20'	19"	20"			20'	25"	26"		



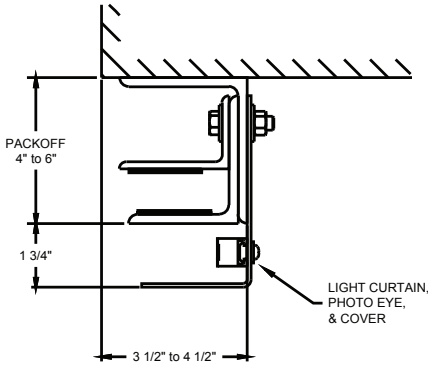
The dimensions featured on this sheet are provided as a guide. Please visit our website at www.cornelliron.com/drawings to generate drawings on demand with exact dimensions.

SERVICE AND INSULATED ROLLING DOORS **300 SERIES** Models EPS300, EPI300

SERVICE DOOR

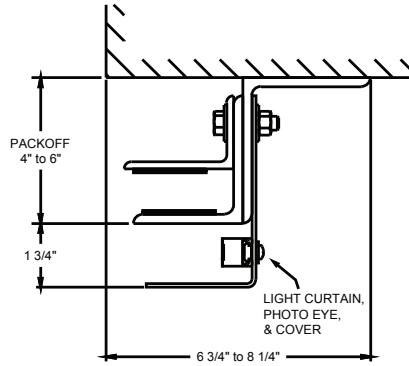
FACE OF WALL – E GUIDE

Typically used with steel jambs

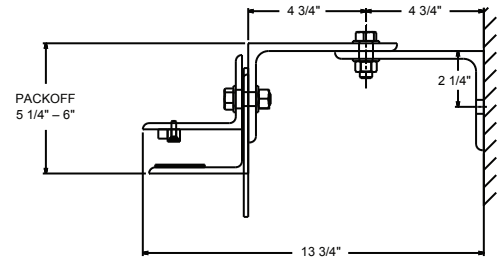


FACE OF WALL – Z GUIDE

Typically used with masonry wall construction



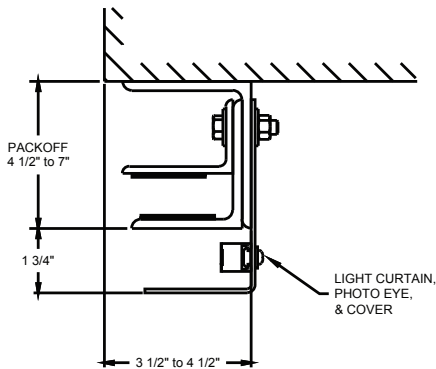
BETWEEN JAMBS



INSULATED DOOR

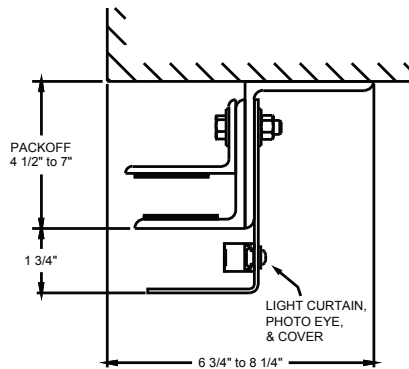
FACE OF WALL – E GUIDE

Typically used with steel jambs

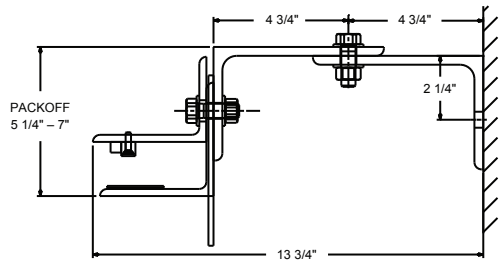


FACE OF WALL – Z GUIDE

Typically used with masonry wall construction



BETWEEN JAMBS



The dimensions featured on this sheet are provided as a guide. Please visit our website at www.cornelliron.com/drawings to generate drawings on demand with exact dimensions.

CUSTOM-DESIGNED SOLUTIONS

Our experienced Architectural Design Support Team can customize our products to fit your specific application. Call 800.233.8366 ext. 4551 • architecturaldesignsupport@cornellcookson.com

800.233.8366 | cornelliron.com

CornellCookson, Inc. is an ISO 9001:2015 registered company
3.2019

CORNELL
Innovative door solutionsSM