

EMERGENCY EGRESS GRILLE

CROSSINGGARD™

Model ERG-IBC



A FAIL-SAFE, ACCESS-CONTROLLED EGRESS SOLUTION

A SECURE EMERGENCY EGRESS SOLUTION

Pursuant to International Building Code® Means of Egress Section 10, CrossingGard combines secured space separation with emergency egress capability. If notified by alarm, if power fails or if the emergency exit push-button is activated, the grille immediately executes a fully open position with no electrical requirements whatsoever. Post-event, it can resume a normally closed and secure position with the touch of a button.

LOW-MAINTENANCE DURABILITY

The rugged, open pattern provides security and visibility with little-to-no maintenance.

CONDITIONAL SECURITY PERFORMANCE

Manual locking or unlocking is not required. When a forced opening is attempted, AutoLock automatically secures any closed grille (while remaining disengaged during normal and emergency operation).

A SUPERIOR CHOICE FOR SCHOOLS

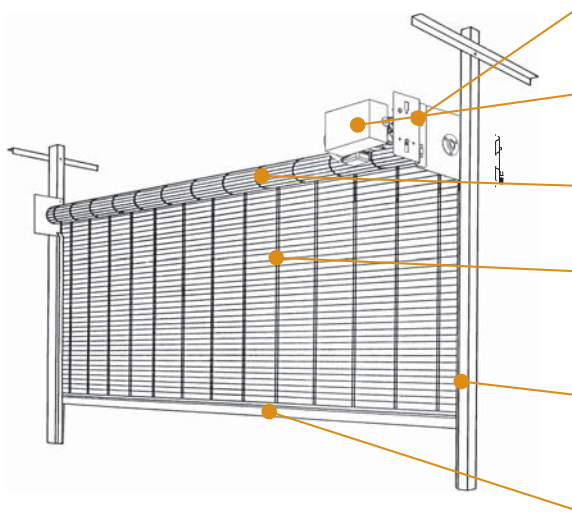
The CrossingGard provides excellent corridor protection for flexible space requirements, separation control in facilities where emergency personnel need quick access to secure areas, and containment options for openings requiring a means of egress.

800.233.8366 | cornelliron.com

CornellCookson, Inc. is an ISO 9001:2008 registered company
3.2017

CORNELL
Innovative door solutions™

STANDARD COMPONENT MATERIALS AND FINISHES



BRACKETS - Steel with powder coating in Gray. Bolt to guide assembly and support counter-balance shaft and curtain.

MOTOR - AlarmGard® FS series motor operator provides fail-safe automatic emergency opening capabilities.

COUNTER-BALANCE SHAFT - Steel. Supports curtain and contains torsion springs for assisting operation.

CURTAIN - Open curtain pattern with 5/16" solid aluminum rods in mill finish spaced 2" apart and vertical chain links spaced at 9", 6" or 3" on center.

GUIDES - Extruded aluminum with mill finish, polypropylene pile runners, snap-on trim and mounting member. Bolt to the wall and support the full weight of the grille.

BOTTOM BAR - Heavy-duty, extruded aluminum in mill finish.

OPERATION AND STRUCTURAL REQUIREMENTS

Motor operation required.

This product is supported by a guide assembly attached to the jamb construction or structural tubes attached to either wall or overhead construction. No additional header support is required unless hood supports are mandated by a larger opening width.

OPTIONAL MATERIALS AND FINISHES

- ▶ Aluminum in mill, clear and color anodized
- ▶ Stainless steel - 300 series in #4 finish
- ▶ Galvanized steel

Brackets, Guides and Bottom Bar

- ▶ Hot-dip galvanizing on steel components
- ▶ Zinc-enriched, corrosion-resistant powder coating in Gray
- ▶ SpectraShield® Powder Coating in more than 180 colors
- ▶ Hoods available as an option. Galvanized steel with exclusive GalvaNex™ polyester enamel finish in Gray or SpectraShield Powder Coating in more than 180 colors; aluminum in mill, clear and color anodized finish; or 300 series stainless steel with a #4 finish



CUSTOM-DESIGNED SOLUTIONS

Contact our experienced Architectural Design Support Team for help in customizing our products to fit your specific application. Call 800.233.8366 ext. 4551 • ads@cornelliron.com